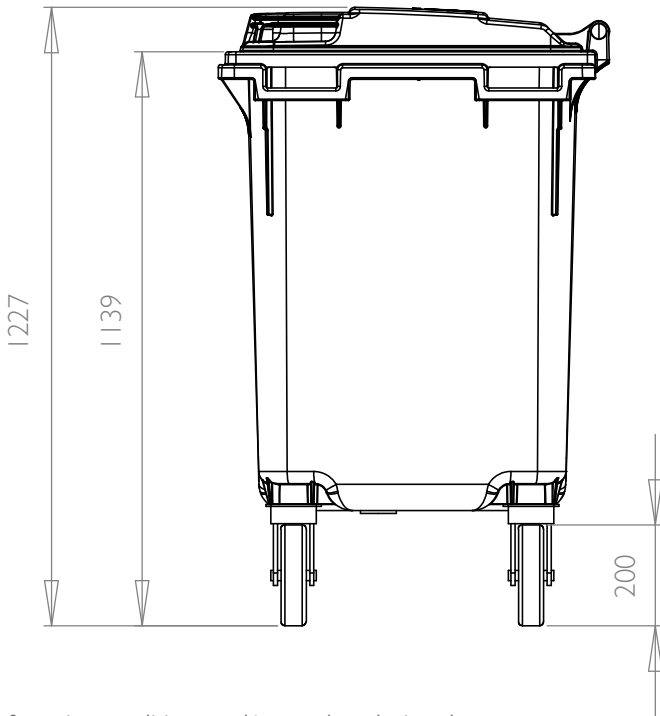
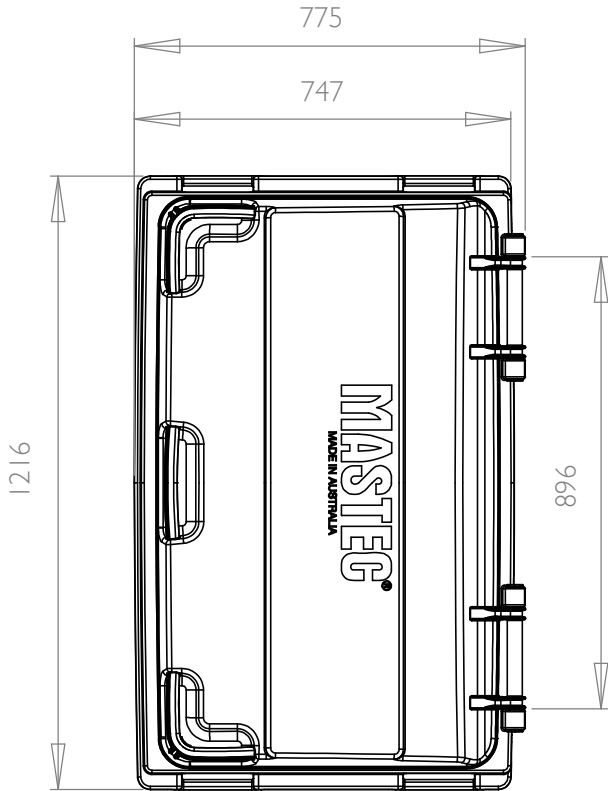


MASTEC®

660 Litre Wheelie Bin

AUS660



*Dimensions are a guide only and may vary due to manufacturing conditions and/or product design changes.